



3D Printing \ Rapid Prototyping System

450 Colour



Colour 3D Printing / Rapid Prototyping system for educational and training installations

The PC controlled ZPrinter®450 is ideally suited to all training requirements.

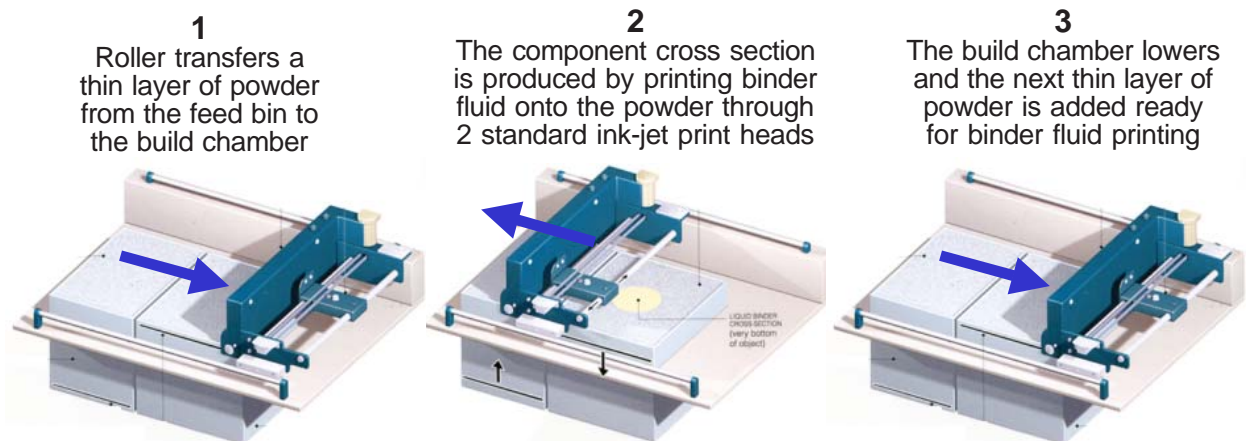
System Features

- The Z-Corporation ZPrinter®450 is the world's fastest 3D colour printer enabling affordable 24 bit colour prototypes to be produced in hours not days.
- The Z-Corp. System is based on standard, off the shelf components developed for the ink jet printer industry resulting in a reliable, dependable 3D Printer.
- Creates prototypes from solid models produced in any 3D CAD system.
- A number of models to be arranged side by side in the build chamber.
- Unlike other systems, there is no waste. Unused powder is automatically recycled and there are no support materials to be removed and discarded.
- Integrated Fine-Powder removal chamber.
- Powder and binder are delivered through easy-loading cartridges.



How it Works

The CAD models are imported into the ZPrint software, nested and then automatically sliced into thin layers ready for printing as detailed below:-



System Specifications

ZPrinter®450	
Build Chamber	203 x 254 x 203 mm (8 x 10 x 8 in)
Layer Thickness	0.089 to 0.102 mm
Resolution	300 x 450dpi
Build Speed	2-4 layers per minute
Material options	High performance composite
System Software	Accepts solid models in STL, VRML, 3DS and PLY formats
Machine Weight	193kg
Dimensions (W x D x H)	1220 x 790 x 1400mm
Mounting	Floor
Power Requirements	230V, 6.2A
Number of Printheads	2 (one tricolour, one clear)
Network Connectivity	TCP/IP 100/10 base T
Operating System Compatibility	Windows XP Professional Windows Vista Windows 7

Included Accessories & Consumables

The ZPrinter®450 is packaged with the following:

- Starter Kit including:
24Kg of ZP150 powder, (enough to print over 500 phone covers), 2 x ZB63 binder cartridge, spare print cartridges etc.
- Windows Software and drivers.
- Delivery, installation, setup and training.
- Warranty - 12 months parts and labour - service contracts available on request.



- Site licence of Boxford's "RapidPRO" software, the best software available to teach the principles of Rapid Prototyping. It can be used either as a virtual product, or as a very low-cost Rapid Prototyping System in its own right when used in conjunction with a vinyl cutter and sticky-backed card.



Boxford Limited
Wheatley,
Halifax,
HX3 5AF
Tel: 01422 358311
Fax: 01422 355924
Email:
info@boxford.co.uk
Web:
www.boxford.co.uk

Example 3D Printed Components

