



3D Printing \ Rapid Prototyping System

ProJet 260C



3D Printing / Rapid Prototyping system for educational and training installations

The PC controlled ProJet®260C is ideally suited to all training requirements.

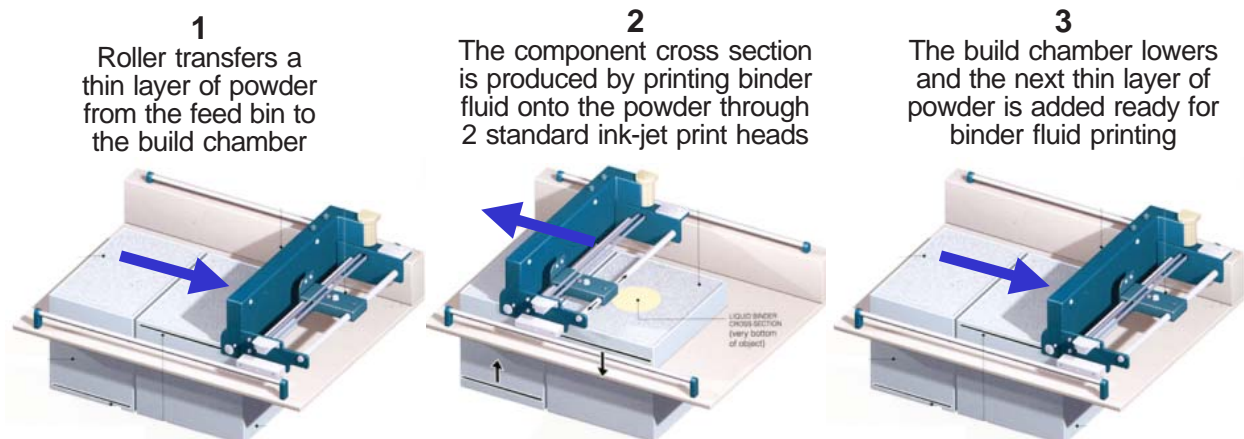
System Features

- The 3D-Systems ProJet®260C is one of the world's fastest and most automated 3D colour printers enabling affordable colour prototypes to be produced in hours not days.
- The system is based on standard, off the shelf components developed for the ink jet printer industry resulting in a reliable, dependable 3D Printer.
- Creates prototypes from solid models produced in any 3D CAD system.
- A number of models to be arranged side by side in the build chamber.
- Unlike other systems, there is no waste. Unused powder is automatically recycled and there are no support materials to be removed and discarded.
- Includes Fine-Powder removal chamber.
- Powder and binder are delivered through easy-loading cartridges.



How it Works

The CAD models are imported into the included software, nested and then automatically sliced into thin layers ready for printing as detailed below:-



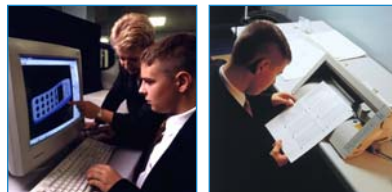
System Specifications

ProJet®260C	
Build Chamber	236 x 185 x 127 mm (9.3 x 7.3 x 5 in)
Layer Thickness	0.1 mm
Resolution	300 x 450dpi
Vertical Build Speed	20mm per hour
Material options	High performance composite
System Software	Accepts solid models in STL, VRML, 3DS and PLY formats
Machine Weight	165kg
Dimensions (W x D x H)	740 x 790 x 1400mm
Mounting	Floor
Power Requirements	230V, 4.5A
Number of Printheads	2
Network Connectivity	TCP/IP 100/10 base T
Operating System Compatibility	Windows Vista Windows 7

Included Accessories & Consumables

The ProJet®260C is packaged with the following:

- Powder recycling system as shown opposite. Docks to the printer and incorporates an integrated compressor in a compact desktop footprint to recycle material directly into the printer. Dimensions (WxDxH): 560 x 560 x 710mm. Weight 23kg
- Starter Kit including:
24Kg of VisiJet®PXL Core, (enough to print over 500 phone covers), 2 x binder cartridge, spare print cartridges etc.
- Windows Software and drivers.
- Delivery, installation, setup and training.
- Warranty - 12 months parts and labour - service contracts available on request.



- Site licence of Boxford's "RapidPRO" software, the best software available to teach the principles of Rapid Prototyping. It can be used either as a virtual product, or as a very low-cost Rapid Prototyping System in its own right when used in conjunction with a vinyl cutter and sticky-backed card.



Boxford Limited
Dewsbury Road,
Elland,
HX5 9BG
Tel: 01422 324810
Fax: 01422 372503
Email:
info@boxford.co.uk
Web:
www.boxford.co.uk

Example 3D Printed Components

